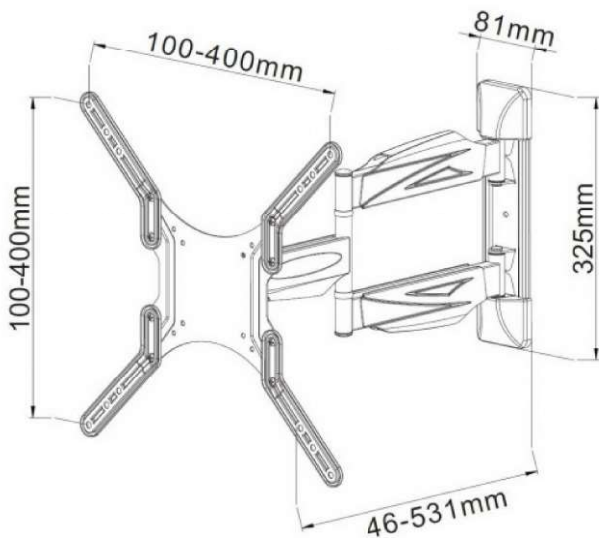


digital life®

Trade Audio Visual Products

**TRADE
MADE**
QUALITY MATERIALS FOR
THE TRADESMAN IN MIND

★ ★ ★
**100%
Australian
Owned**



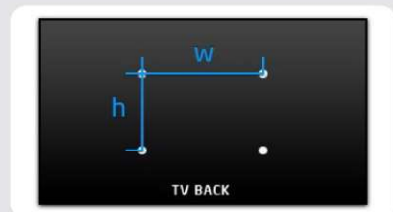
Product code : PLB11M

TV Bracket Up To 55"

Screen Articulated 35kg 400 x 400
VESA.

This television bracket is super
slim and fits Tv's with a rear
mounting pattern of up to
400mm x 400mm.
Great for new LED
and LCD TV's.

- Folds flat to wall 35mm
- Max Weight of TV - 35kg
- Tilt -2 to +12 degrees
- Single Stud Mount
- Cable Management
- Suits Vesa 100 x 100, 200 x 100, 200 x 200,
300 x 300 and 400 x 400
- Colour Black



Common VESA Hole Patters
(Width x height)

75 x 75 mm
100 x 100 mm
200 x 100 mm
200 x 200 mm
300 x 200 mm
300 x 300 mm
400 x 200 mm
400 x 400 mm
600 x 200 mm
600 x 300 mm
600 x 400 mm
800 x 200 mm
800 x 400 mm

Available Colours



Black

digital life
Trade Audio Visual Products

For more information or products please visit our website.
www.digitallife.net.au

Find us on facebook