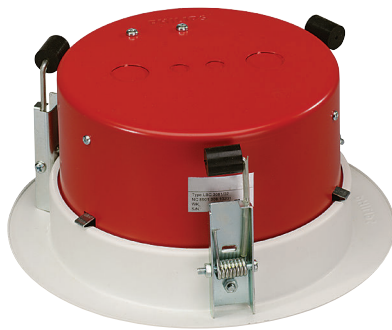


LBC 3081/02 Fire Dome

www.boschsecurity.com



BOSCH
Invented for life



During a fire, the ceiling cavity in which loudspeakers are installed can allow flames to spread throughout a building. To prevent fire entering the cavity via the loudspeaker, the ceiling loudspeaker can be fitted with a steel fire dome (LBC 3081/02). This optional fire dome is clicked into the mounting-ring via three leaf springs, before the loudspeaker is inserted. For extra convenience, a safety cord from the fire dome allows the installer to temporarily hang the loudspeaker unit during installation. This cord also provides reassurance after installation. The fire-dome has knockout holes for two grommets (supplied) and two cable glands (PG 13). This fire dome can only be used with the LBC 3086/41 Ceiling Loudspeaker.



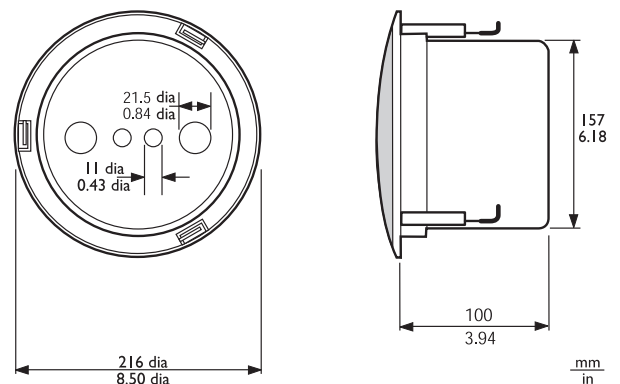
Notice

Product photo includes LBC 3086/41

Certifications and approvals

Region	Certification
Europe	CE Declaration of Conformity

Installation/configuration notes



LBC3086/41 + LBC 3081/02 fire dome assembly dimensions in mm (in)

Parts included

Quantity	Components
1	LBC 3081/02 Fire Dome
1	Safety cord
2	Rubber grommets

Technical specifications

Mechanical

Dimensions (dia. x max. depth)	157 x 70 mm (6.2 x 2.8 in)
Weight	360 g (0.8 lb)
Color	Flame red (RAL 3000)
Certified B15	Acc. to DIN 4102

Ordering information

LBC 3081/02 Fire Dome

metal fire dome for LBC 3086/41 ceiling loudspeaker

Order number **LBC3081/02**

Represented by:

Americas:

Bosch Security Systems, Inc.
12000 Portland Avenue South
Burnsville MN 55337, USA
Phone: +1-800-392-3497
Fax: +1-800-955-6831
audiosupport@us.bosch.com
www.boschsecurity.com

Europe, Middle East, Africa:

Bosch Security Systems B.V.
P.O. Box 80002
5617 BA Eindhoven, The Netherlands
Phone: + 31 40 2577 284
Fax: +31 40 2577 330
emea.securitysystems@bosch.com
www.boschsecurity.com

Asia-Pacific:

Robert Bosch (SEA) Pte Ltd, Security Systems
11 Bishan Street 21
Singapore 573943
Phone: +65 6571 2808
Fax: +65 6571 2699
apr.securitysystems@bosch.com
www.boschsecurity.asia

China:

Bosch (Shanghai) Security Systems Ltd.
201 Building, No. 333 Fuquan Road
North IBP
Changning District, Shanghai
200335 China
Phone +86 21 22181111
Fax: +86 21 22182398
www.boschsecurity.com.cn

America Latina:

Robert Bosch Ltda Security Systems Division
Via Anhanguera, Km 98
CEP 13065-900
Campinas, Sao Paulo, Brazil
Phone: +55 19 2103 2860
Fax: +55 19 2103 2862
al.securitysystems@bosch.com
www.boschsecurity.com