

LBC 3080/x1 Fire Dome

www.boschsecurity.com



BOSCH
Invented for life



During a fire, the ceiling cavity can allow fire or smoke to spread throughout a building. To inhibit fire entering the cavity via the ceiling loudspeaker, it can be fitted with an LBC 3080/x1 steel fire dome. This is mounted on the loudspeaker assembly using four self-tapping screws supplied with the fire dome. The fire-dome has knockout holes for two grommets (supplied) and two cable glands (PG 13).

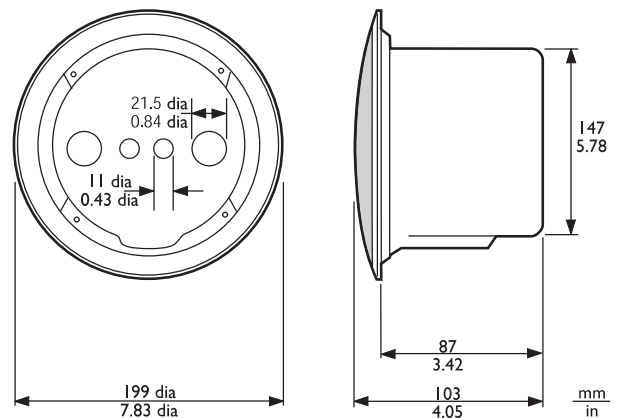
The LBC 3080/x1 Fire dome is available in two color versions: the LBC 3080/01 is flame red (RAL 3000) and the LBC 3080/11 is white (RAL 9010).

This fire dome can only be used with the ceiling speakers: LBC 3087/41, LBC 3090/01, LBC 3090/31, LHM 0606/00 and LHM 0606/10.

Certifications and approvals

B15	DIN 4102-8
-----	------------

Installation/configuration notes



LBC 3090/01 and LBC 3080/x1 Fire Dome assembly dimensions in mm (in)

Parts included

Quantity	Components
1	LBC 3080/x1 Fire Dome

4	Self tapping screws
2	Rubber grommets

Technical specifications

Mechanical

Dimensions (dia. x max depth)	147 x 87 mm (5.8 x 3.4 in)
Weight	360 g (0.8 lb)
Color	LBC 3080/01 flame red (RAL 3000) LBC 3080/11 white (RAL 9010).

Ordering information

LBC 3080/01 Fire Dome

Metal fire dome for the LBC 3087/41, LBC 3090/01, LBC 3090/31, LHM 0606/00, LHM 0606/10 and LHM 0626/00 ceiling loudspeakers.

Order number **LBC 3080/01**

LBC 3080/11 Fire Dome

metal fire dome for the LBC 3087/41, LBC 3090/01, LBC 3090/31, LHM 0606/00 and LHM 0606/10 ceiling loudspeakers

Order number **LBC3080/11**

Represented by:

Americas:

Bosch Security Systems, Inc.
12000 Portland Avenue South
Burnsville MN 55337, USA
Phone: +1-800-392-3497
Fax: +1-800-955-6831
audiosupport@us.bosch.com
www.boschsecurity.com

Europe, Middle East, Africa:

Bosch Security Systems B.V.
P.O. Box 80002
5617 BA Eindhoven, The Netherlands
Phone: + 31 40 2577 284
Fax: +31 40 2577 330
emea.securitysystems@bosch.com
www.boschsecurity.com

Asia-Pacific:

Robert Bosch (SEA) Pte Ltd, Security Systems
11 Bishan Street 21
Singapore 573943
Phone: +65 6571 2808
Fax: +65 6571 2699
apr.securitysystems@bosch.com
www.boschsecurity.asia

China:

Bosch (Shanghai) Security Systems Ltd.
201 Building, No. 333 Fuquan Road
North IBP
Changning District, Shanghai
200335 China
Phone +86 21 22181111
Fax: +86 21 22182398
www.boschsecurity.com.cn

America Latina:

Robert Bosch Ltda Security Systems Division
Via Anhanguera, Km 98
CEP 13065-900
Campinas, Sao Paulo, Brazil
Phone: +55 19 2103 2860
Fax: +55 19 2103 2862
al.securitysystems@bosch.com
www.boschsecurity.com